

XVR-301-04Q+2/08Q+4



Key Features

- Support H.265/H.264 video formats
- Support audio over coaxial cable (only for TVI cameras)
- Support TVI, AHD, CVI, CVBS, IP cameras with adaptive access
- 4/8-channel BNC input
- Support 1-ch VGA output, 1-ch HDMI output at up to 4K (3840 x 2160)
- HDMI and VGA simultaneous output
- Long transmission distance over coaxial cable
- Support mainstream cameras of ONVIF and RTSP protocols

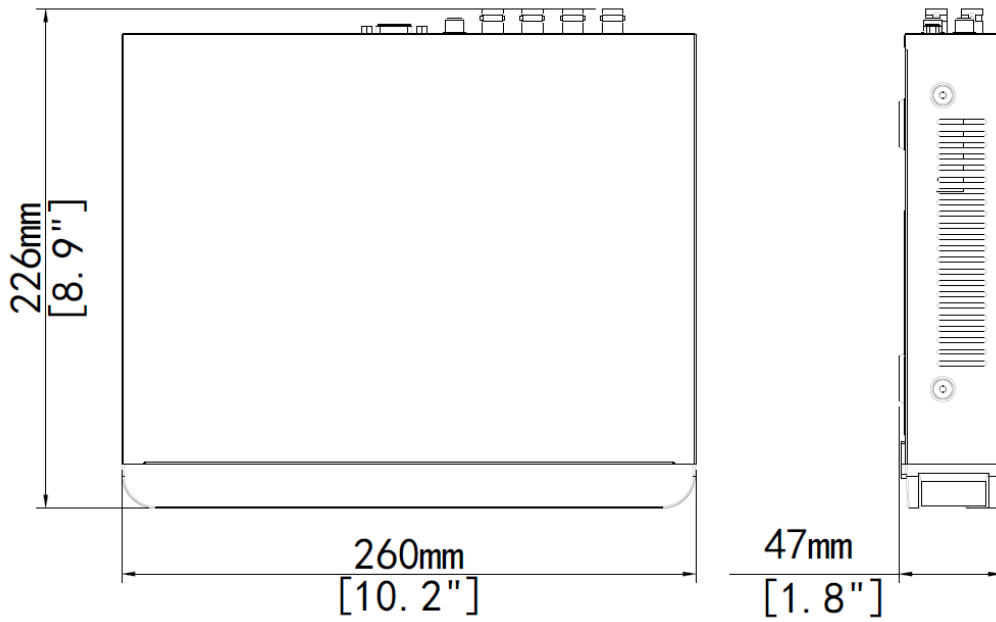
Specifications

| Model | XVR-301-04Q+2 | XVR-301-08Q+4 |
|-------------------------------|--|--|
| Video/Audio Input | | |
| Analog Video Input | 4-ch, BNC | 8-ch, BNC |
| IP Video Input | 2-ch (only IP up to 6ch), each channel up to 4MP | 4-ch (only IP up to 12ch), each channel up to 4K |
| Supported Analog Camera Types | Support AHD input: 8MP@15fps 5MP@20fps 4MP@30fps 1080P@30fps 720P@30fps Support TVI input: 8MP@15fps 5MP@20fps 4MP@30fps 1080P@30fps 720P@30fps | Support AHD input: 8MP@15fps 5MP@20fps 4MP@30fps 1080P@30fps 720P@30fps Support TVI input: 8MP@15fps 5MP@20fps 4MP@30fps 1080P@30fps 720P@30fps |

| | | | | |
|---------------------------|---|--|-------------------------|-------------------|
| | Support CVI input: 8MP@15fps 5MP@25fps 4MP@30fps 1080P@30fps 720P@30fps Support CVBS input | Support CVI input: 8MP@15fps 5MP@25fps 4MP@30fps 1080P@30fps 720P@30fps Support CVBS input | | |
| Audio Input | 1-ch, RCA | | | |
| Audio Compression | G.711U | | | |
| Video/Audio Output | | | | |
| CVBS Output | 1-ch, BNC | | | |
| VGA Output | 1920x1080p/60Hz, 1920x1080p/50Hz, 1600x1200/60Hz, 1280x1024/60Hz, 1280x720/60Hz, 1024x768/60Hz | | | |
| HDMI Output | 3840 x 2160/30Hz, 1920x1080p/60Hz, 1920x1080p/50Hz, 1600x1200/60Hz, 1280x1024/60Hz, 1280x720/60Hz, 1024x768/60Hz | | | |
| Audio Output | 1-ch, RCA | | | |
| Synchronous Playback | SD: 4 HD: 6 | SD: 8 HD: 12 | | |
| Live view display | HDMI/VGA: 1/4/6/8/9 | HDMI/VGA: 1/4/6/8/9/16 | | |
| Two-way Audio | 1-ch, RCA | | | |
| Network | | | | |
| Incoming Bandwidth | 40Mbps (Up to 48Mbps after all analog channel conversion) | 40Mbps (Up to 56Mbps after all analog channel conversion) | | |
| Outgoing Bandwidth | 48Mbps | 64Mbps | | |
| Remote Users | 128 | | | |
| Protocols | TCP/IP, P2P, UPnP, DHCP, HTTP, HTTPS, DNS, DDNS, SMTP | | | |
| Browser | IE(IE10/11) for Windows Firefox (version 52.0 and above) for Windows Chrome (version 45 and above) for Windows Edge (version 79 and above) for Windows | | | |
| Encoding | | | | |
| Recording Resolution | 8MP Lite/5MP/5MP Lite/4MP Lite/1080P/720P/CIF | 8MP Lite/5MP/5MP Lite/4MP Lite /1080P/720P/CIF | | |
| Recording Frame Rate | Main stream | Sub stream | Main stream | Sub stream |
| | 8MP Lite@8fps | D1@8fps | 8MP Lite@8fps | D1@8fps |
| | 5MP@6fps (Only for 5MP) | D1@6fps | 5MP@6fps (Only for 5MP) | D1@6fps |

| | | | | |
|---------------------------|--|----------|--|----------|
| | @12.5 access) | | @12.5 access) | |
| | 5MP Lite @12fps | D1@12fps | 5MP Lite @12fps | D1@12fps |
| | 4MP Lite@15fps | D1@15fps | 4MP Lite@15fps | D1@15fps |
| | 1080P@15fps | D1@15fps | 1080P@15fps | D1@15fps |
| | 720p@30fps | D1@30fps | 720p@30fps | D1@30fps |
| Audio Sample Rate | 8KHz,16 bit per channel | | | |
| Audio Bit Rate | 64Kbps per channel | | | |
| Decoding | | | | |
| Capability | Analog: 4 x 8MP Lite@8, 4x 5MP Lite@12, 4x 4MP Lite@15, 4 x 1080P@15 IP: 1 x 4MP@30, 2 x 1080P@30 | | Analog: 8 x 8MP Lite@8, 8x 5MP Lite@12, 8x 4MP Lite@15, 8x 1080P@15 IP: 1 x 4K@30, 2 x 4MP@30, 4 x 1080P@30 | |
| Hard Disk | | | | |
| SATA | 1 SATA interface | | | |
| Capacity | Up to 8TB for each HDD (The maximum HDD capacity varies with environment temperature) | | | |
| General Alarm | | | | |
| General Alarm | Motion detection | | | |
| Alert Alarm | IP Conflict, Network Disconnected, Disk offline, Disk Abnormal, Illegal Access, Hard Disk Space Low, Hard Disk Full, Recording/Snapshot Abnormal | | | |
| External Interface | | | | |
| Network Interface | 1 RJ45 10M/100M self-adaptive Ethernet Interface | | | |
| USB Interface | Rear panel: 2 x USB2.0 | | | |
| RS485 | 1 | | | |
| Alarm In | 4-ch | | | |
| Alarm Out | 1-ch | | | |
| General | | | | |
| Power Supply | 12V DC Power Consumption: ≤ 10 W (without HDD) | | | |
| Working Environment | -10°C ~ + 55°C, Humidity ≤ 90% RH (non-condensing) | | | |
| Dimensions(W×D×H) | 260mm ×226mm× 47mm | | | |
| Weight (without HDD) | ≤1.1 Kg | | | |
| Certification | | | | |
| Certification | UL /CE /FCC /RoHS /WEEE | | | |

Dimensions



Rear Panel

Take XVR-301-08Q+4 for example

