



Features

- High reliability
- Fail- safe (Power to Lock)
- Aluminum anodized casing
- MOV provides spike and surge protection
- Dual voltage 12 or 24 VDC (selectable)
(10002BZ:12VDC)
- Anti-Residual magnetism function

Statement

The 10001 and 10002 series are a high quality range of fail-safe electromagnet locks. They feature surface mount design with a holding force of up to 600lbs.

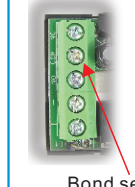
The 10001 and 10002 series are made for outwards swinging single doors. Installation on inwards swinging doors, narrow door frames or glass doors may require use of an additional bracket. Our locks are supplied with fittings and can be used on wooden, metal or glass doors.

Specifications

- Operating voltage: 12/24 VDC
- Current draw: 500mA/12VDC; 250mA/24VDC (at temperature 20°C)
- Operating temperature: -10~55°C(14~131°F)
- Humidity: 0~95% non-condensing.
- Holding force: Up to 600 lbs(272 Kg)
- Dimensions:
 - Magnet:(L) 250, (W) 42, (D) 26 mm
 - Armature plate:(L) 185, (W) 38, (D) 12 mm
 - Mounting plate:(L) 250, (W) 25, (D) 5 mm
- Special finishes for magnet and armature plate: Zinc plated
- Epoxy potting compound : E87252 (S), UL94V-0
- Net Weight: 2.0 Kg

*10002BZ: (L)288,(W)42,(D)26mm

Operating Features



10002: Bond sensor output

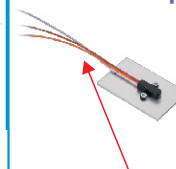
Indicates the locked & unlocked status with visible LED indicator.

Bond sensor output : SPDT rated: 0.5A/125VAC;1A/24VDC



10002BZ: Buzzer Alarm

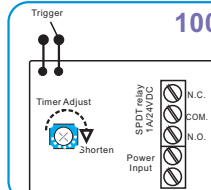
Door Held Open Alarm is an auditory feedback for user. Alarm sounds when the door is not closed and has exceeded a specified time limit. VR timer is adjustable from 1 to 20 seconds.



10002DS: Door status

Door Status Sensor indicates the door is in an open or closed status.

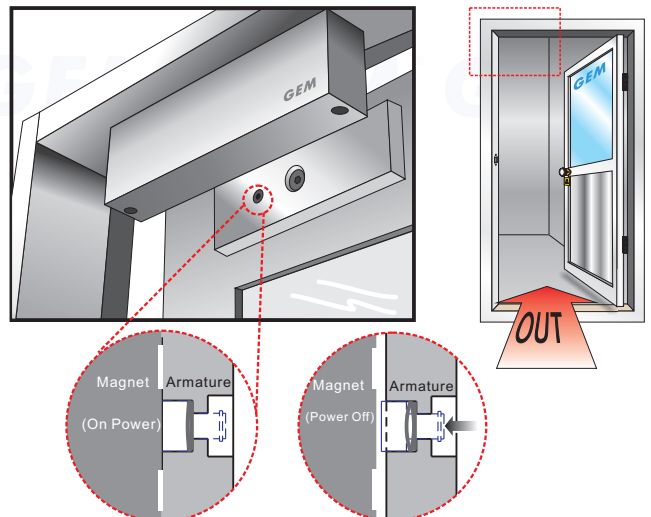
Door status output : SPDT rated: 0.2A/12VDC



10002TD: Relock time delay

Ensures the automatic lock mode after the door is closed properly and it can be adjusted from 1 to 80 seconds.

Regular Installation



Anti-residual statement

Our electromagnet locks feature Anti-Residual Magnetism (ARM) which ensures the door can be opened without any resistance from left over magnetism imparted to the armature plate

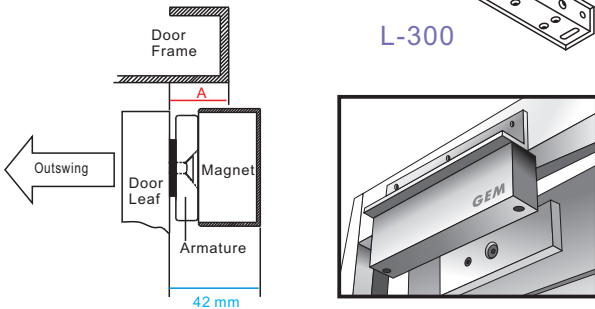
GIANNI INDUSTRIES, INC.

Optional Brackets

Brackets installation are according to door swing direction and door frame type , e.g. narrow frame door , frameless glass door , inswing door , etc.

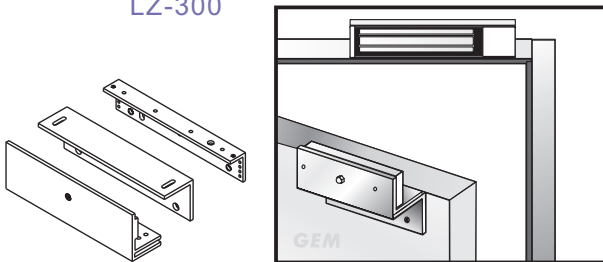
With L-bracket for narrow door frames

When "A" < 42 mm , must installed with "L" brackets.



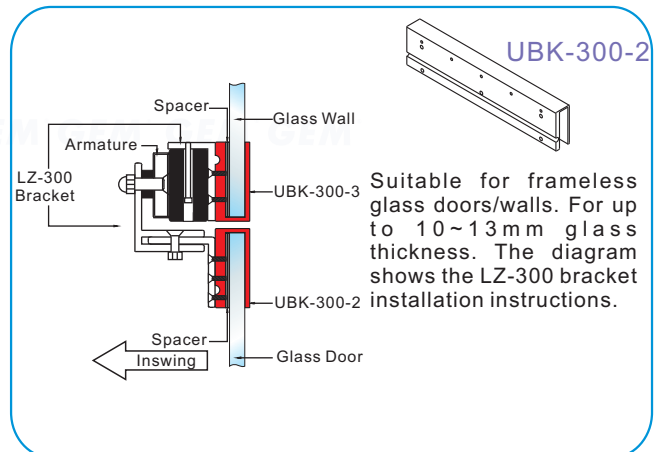
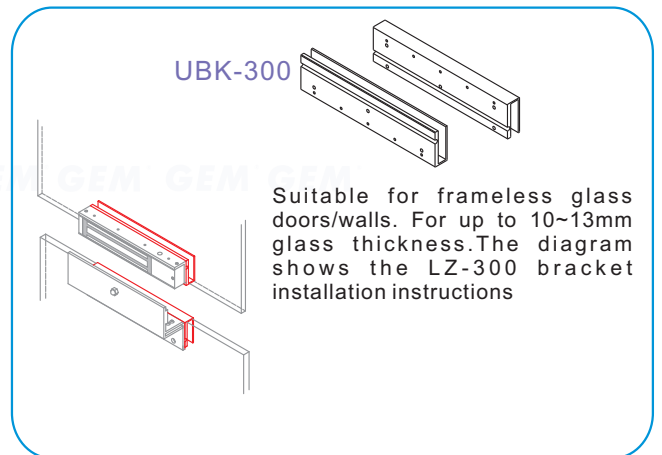
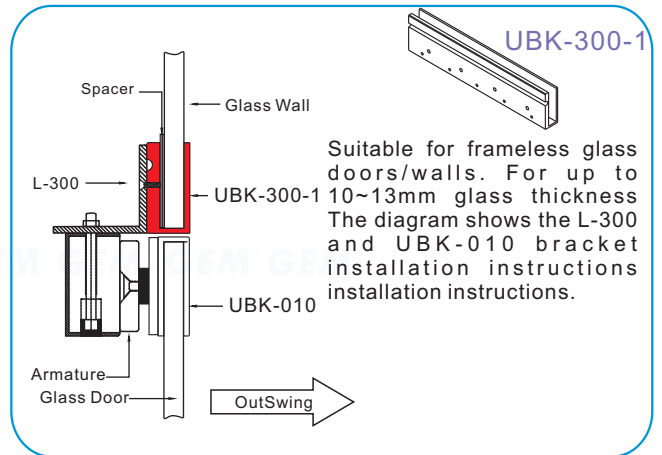
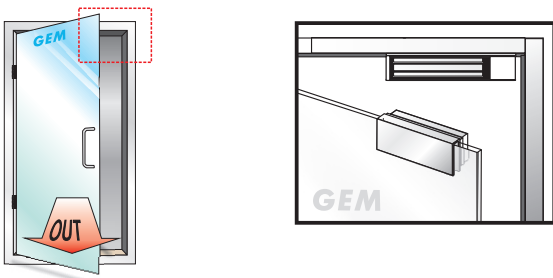
With LZ-bracket for inswing doors

LZ-300



With U-bracket for frameless glass doors

UBK-013 For 10~12mm glass thickness



Warranty

The product is warranted against defects in material and workmanship while used in normal service for a period of 5 years from the date of sale to the original client. The GEM policy is one of continual development and improvement; therefore GEM reserves the right to change specifications without notice.

GIANNI INDUSTRIES, INC.