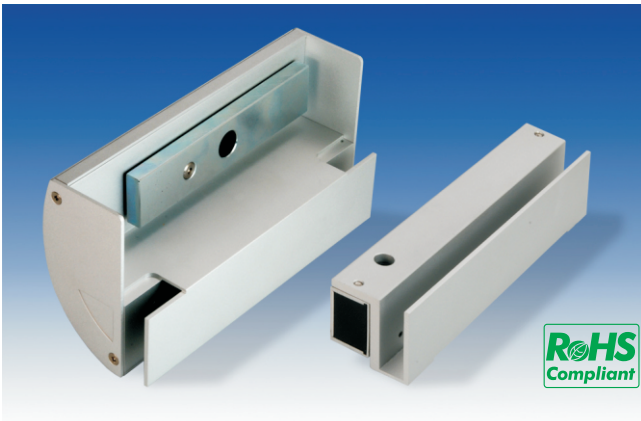


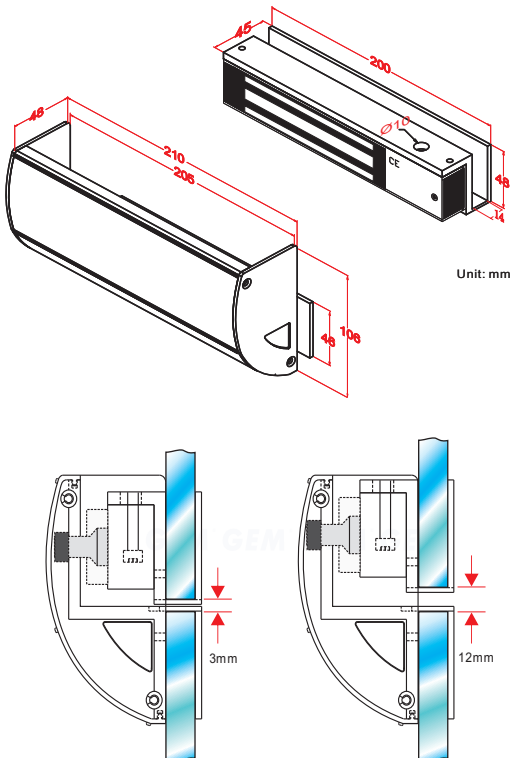
MG-300LZ Bracket EM-150 Electromagnetic Lock (Optional)



● Statement

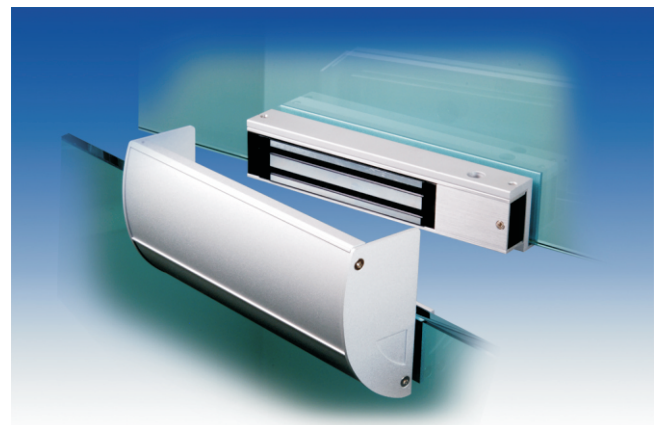
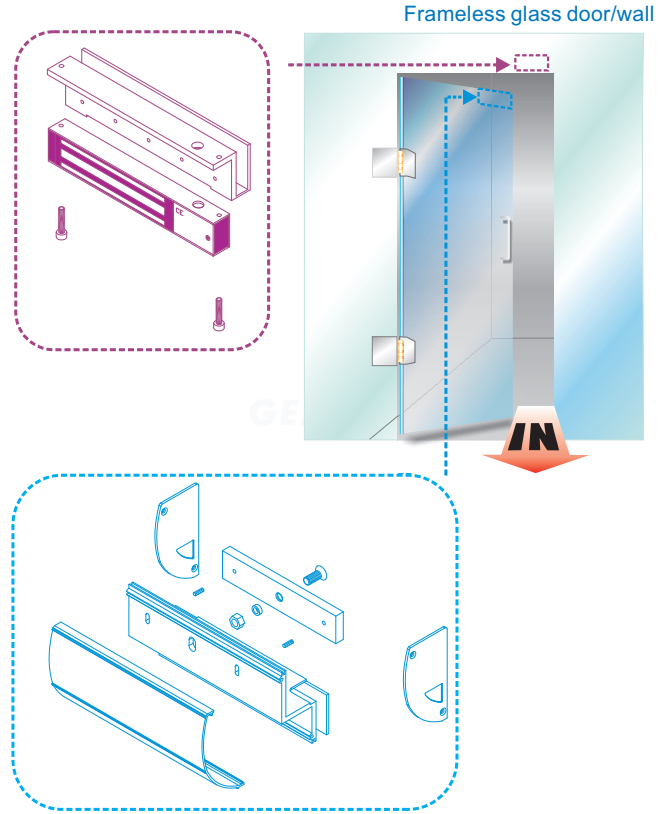
MG-300LZ Brackets are designed for EM-150 Electromagnet Lock installed on full frameless glass doors. The main feature is that the lock and the armature plate are wrapped up by bracket to make the installation aesthetic.

● Dimension



The thickness of glass should be 10~13mm and the armature plate can be adjusted depending on the door gap ranging from 3mm to 12mm.

● Application



Electromagnetic Locks are installed on frameless glass wall while armature plates are installed on frameless glass doors to create an elegant appearance.

GIANNI INDUSTRIES, INC.