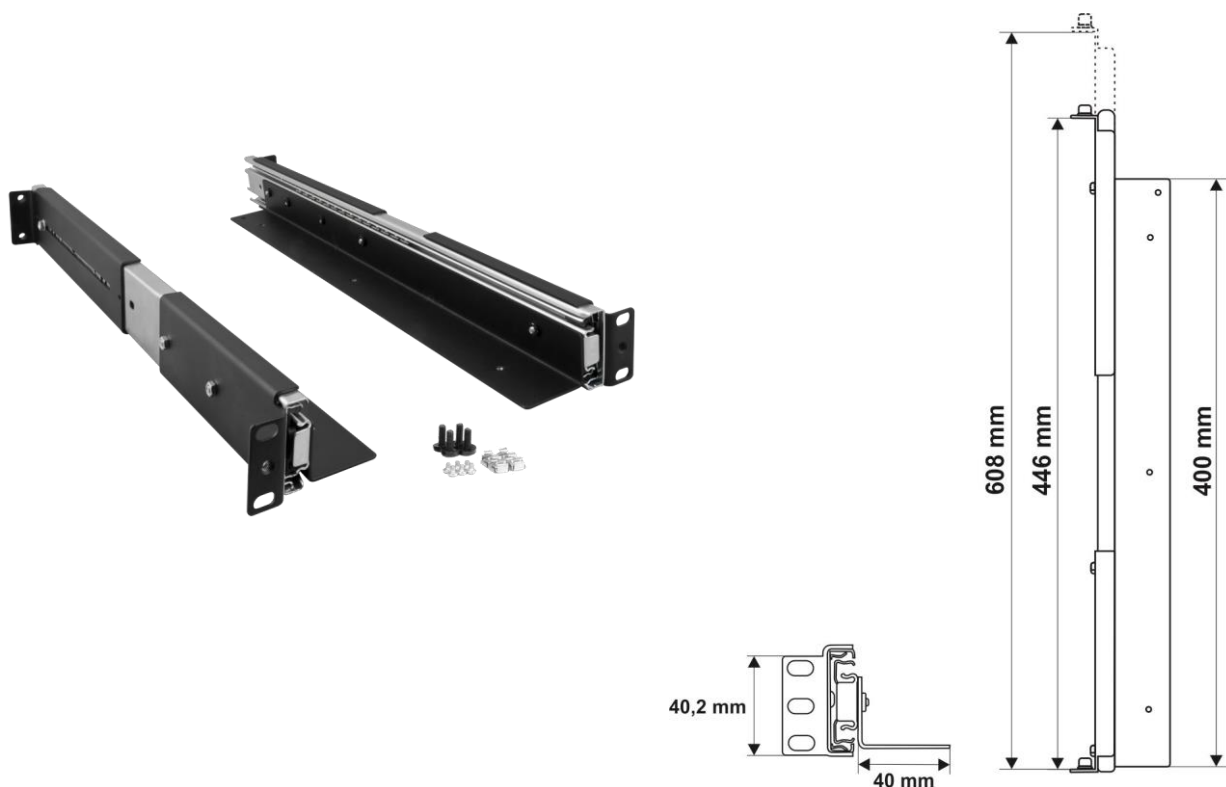


**1. Intended use:**

The ARAS600 rail is intended for mounting RACK enclosures, type: ARAD2/ ARAD3/ ARAD4 in a 600mm deep RACK 19" cabinet.

**2. Specifications.**

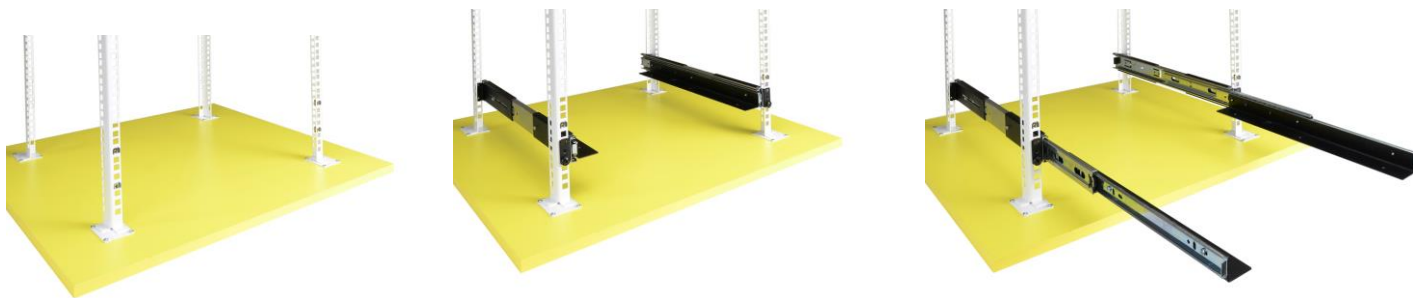
SPECIFICATIONS	
Mounting dimensions:	<b>H=1U, D=415÷608 [mm, +/-2]</b>
Net/gross weight:	<b>2,49 / 2,58 [kg]</b>
Static load:	<b>30kg</b>
Notes:	<ul style="list-style-type: none"> <li>- four-point butt mounting to RACK profiles + supported on front and rear RACK profiles</li> <li>- 4 M6 screws + cage nuts included</li> <li>- 4 M4 screws included – to bolt the RACK enclosure</li> </ul>
Materials:	<ul style="list-style-type: none"> <li>- sheet metal DC01, 1mm thick, RAL9005</li> <li>- sliding rails – fully extendable</li> </ul>
Use:	<b>inside</b>
Warranty:	<b>2 years from production date</b>



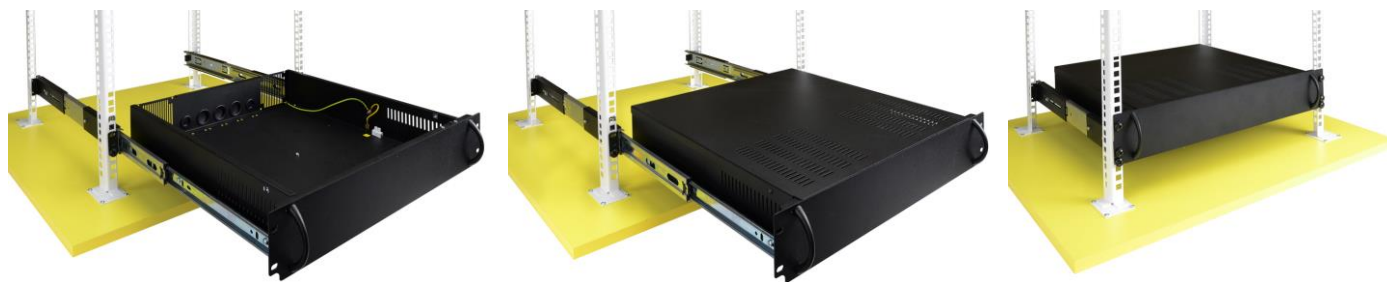
### 3. Assembling instructions:

---

**3.1.** Mount the M6 cage nuts to the RACK cabinet, as shown in the picture below. Then, mount the ARAS rails. Take notice of the correct positioning of the horizontal rails. Adjust their length between the front and back RACK profiles.



**3.2.** Place the ARAD enclosure onto the slid-out ARAS rails. Next, bolt it from the inside with 4xM4 screws (included). The enclosure is to be fixed to the front part of the RACK rails with four M6 screws.



#### **Pulsar sp. j.**

Siedlec 150, 32-744 Łapczyca, Poland  
Tel. (+48) 14-610-19-40, Fax. (+48) 14-610-19-50  
e-mail: [biuro@pulsar.pl](mailto:biuro@pulsar.pl), [sales@pulsar.pl](mailto:sales@pulsar.pl)  
http:// [www.pulsar.pl](http://www.pulsar.pl), [www.zasilacze.pl](http://www.zasilacze.pl)