



ASSEMBLY INSTRUCTION

ENGLISH

v1.0

Code: AWO529S / AWO529WS

Name: AWO529S – Enclosure DVR/SMALL/VERTICAL
AWO529WS – Enclosure DVR/SMALL/VERTICAL WHITE

IM529



Edition: 1 from 14.06.2022
Supersedes edition: -----

EN

1. Application:

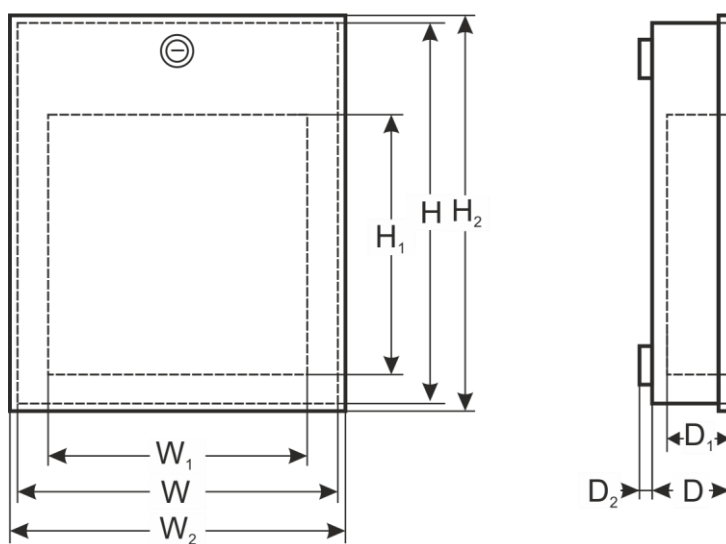
**Enclosure protects recorder against unauthorized access or theft (two keys included).
Made of 1,2 mm steel plate. Set includes one key (different code), two keys included and tamper switch
unwanted enclosure opening.**

Due to vertical installation and low depth, it is ideal for places where deeper enclosures or cabinets type RACK 19" cannot be installed. After opening enclosure, front cover is held in a horizontal position, providing easy access to buttons on front panel of DVR. Enclosure has a special holder with retaining straps that allows for installation of recorders of following dimensions: width up to 375 mm, height: up to 95 mm, depth up to 335 mm.

2. Technical parameters

TECHNICAL PARAMETERS	
Dimensions:	W=432, H=501, D + D₂=121+14 [mm, +/-2]
External dimensions of front panel:	W₂=438, H₂=507 [mm, +/-2]
Dimensions of recorder compartment:	W₁=375, H₁=335, D₁=95 [mm, +/-2]
Net/Gross weight:	8,108 / 8,778 [kg]
Operation conditions:	Temperature: -10°C ÷ +40°C relative humidity 20%...90%, without condensation
Finish:	AWO529S - DC01 sheet, thickness: 1,2mm, color: RAL 9005 (black matt) - corrosion protection AWO529WS - DC01 sheet, thickness: 1,2mm, color: RAL 9003 (white) - corrosion protection
Tamper switch protection:	1 x microswitch: enclosure opening 0,5 A; 50 V DC max. NC – normally closed contacts Optionally: 1 x microswitch: detachment form wall, 0,5A; 50 V DC (required PKAZ067)
Locking:	Lock MR008 (different code) x 1 pcs.
Application:	Inside
Warranty:	2 years from production date
Notes:	Distance from wall (mounting surface) – 14 mm set includes one key (different code), two keys included

3. Installation example:



Pulsar sp. j.

Siedlec 150, 32-744 Łapczyca, Poland
Tel. (+48) 14-610-19-40, Fax. (+48) 14-610-19-50
e-mail: biuro@pulsar.pl, sales@pulsar.pl
http:// www.pulsar.pl, www.zasilacze.pl