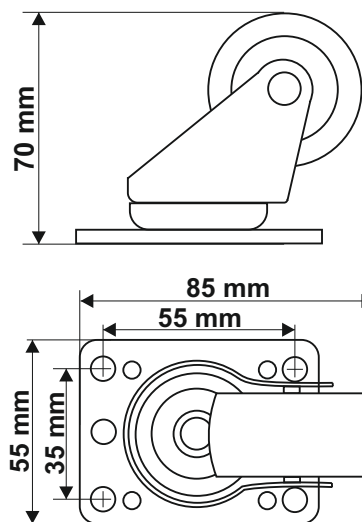


CODE: **RAK v1.1/IV** EN  
 NAME: **Caster 2" without brake for floor standing cabinet**



## DESTINATION

The caster for floor standing RACK cabinets. The set of 4 casters enables easy moving of the cabinet.

## TECHNICAL DATA

**Dimensions:** W=55, H=70, D=85 [mm, +/-2], Ø=2"

**Net/gross weight:** 0,13 / 0,20 [kg]

**Material:**  
 - 2mm cold-rolled steel (SPCC)  
 - caster 2" - plastic

**Load:** 150 kg

**Destination:** inside

**Warranty:** 1 year from production date

**Notes:**  
 - bolted to the bottom panel of the cabinet  
 - 4 screws included